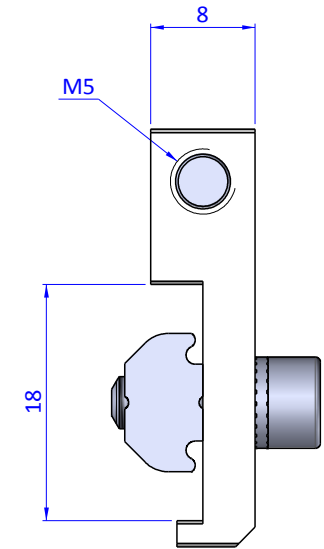
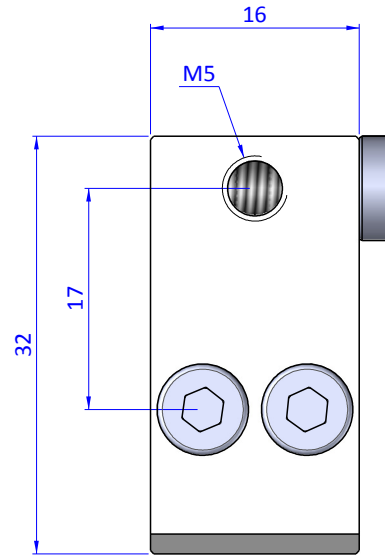
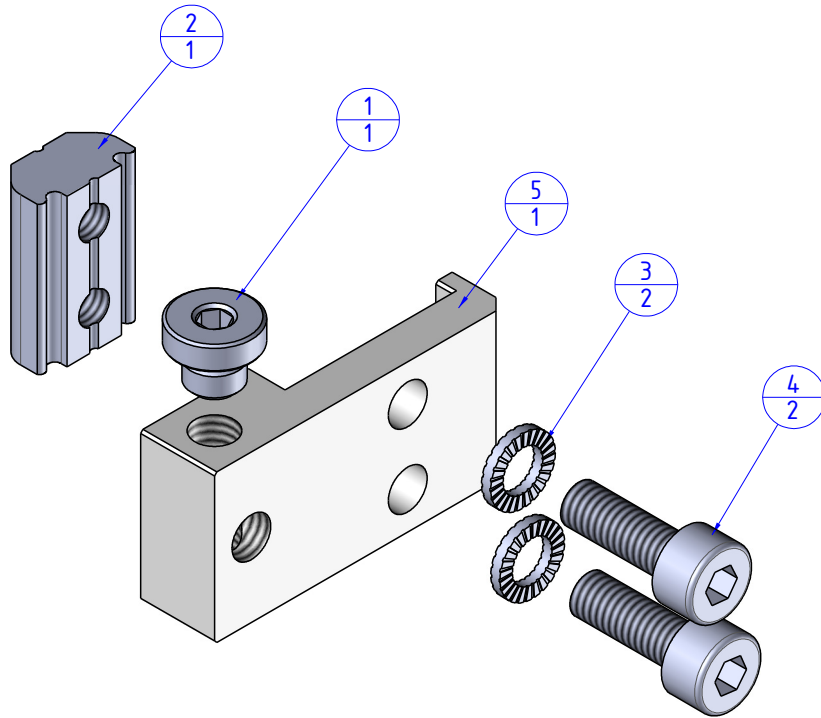


THE PROPERTY OF THE DRAWING IS ESTABLISHED BY LAW. IT IS FORBIDDEN TO PRODUCE OR SHOW IT TO THIRD PARTY, WITHOUT A WRITTEN AGREEMENT.

Item	Name	Q.ty
1	CA.08.14.013	1
2	CA.GWP.4.8	1
3	R.4.SCH	2
4	V.TCE4x12	2
5	WSS.L.M5.M5	1



Format A3

UNI 936-76

FP SERVICES AUTOMATION			DESIGNED FROM FPSERVICES	REVIEW A
GENERAL TOLERANCE UNI - ISO 2768 CLASSE f	DESCRIPTION CA.WSS.L.M5.M5		DATE 28/02/2019	WEIGHT 0,017kg
			CODE CA.WSS.L.M5.M5	